

**Specifications**

Output Power HP (kW)	1 (0.75)
Phase	3 Phase
Pole	4 Pole
Frame Number	80M

Degrees of Protection	IP 22
Enclosure Construction	Drip-proof
Thermal Class	Class B (130°C)

Alignment	Vertical
Frame Material	Steel plate

Power Transmission	Direct-couple or Belt Driven
Direction of Rotation	Counterclockwise (CCW) viewed from shaft-end side



Connection Type	Lead Wire (6 Leads)
Coating Colour	Munsell N5.5 (Gray)
Conformed Standard	IEC 60034-1 & JEC-2137-2000



Voltage & Frequency	LT Type	
	220/380~415V	50Hz
	220/440V	60Hz

\* ( ) is dimension without drip-proof cover

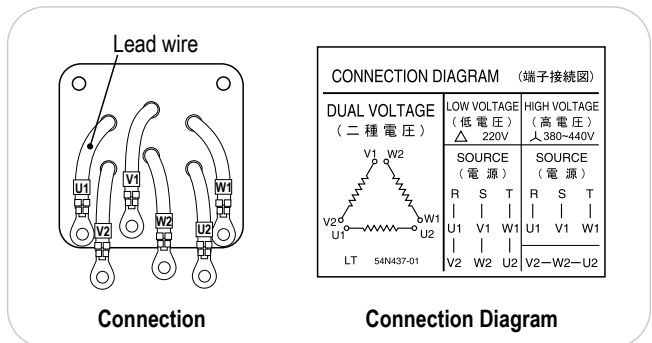
**Dimensions (mm)**

Flange Number	Motor							
	D	LA	LB	LC	LE	LG	LL*	LZ
FF165	141	165	130 j6	200	3.5	12	234 (227)	12

Terminal Box			Shaft End						
KB	KD	KL	LR	Q	QK	S	T	U	W
171.5	27	144	40	40	32	19 j6	6	3.5	6

Bearing No.		Approximated Weight (kg)	Approximated Packing Dimensions (LxWxH)	Gross Weight (kg)
Drive End	Opposite			
6204ZZ	6203ZZ	14	305 x 260 x 235	16

**Connection & Connection Diagram**



**Circumstance Conditions**

Ambient Temperature	-20 ~ +40°C
Ambient Humidity	85% RH or less
Operating Altitude	Less than 1,000m above sea level
Environment	No bursting / erosive gas or vapor

**Motor Characteristics**

Type	Hz	V	50% Load			75% Load			100% Load				Torque(%)		Is (A)	Inertia GD <sup>2</sup> (kg·m <sup>2</sup> )	
			(A)	Eff(%)	PF(%)	(A)	Eff(%)	PF(%)	(A)	Eff(%)	PF(%)	Speed (r/min)	Torque (kg·m)	Ts			Tm
LT	50	220	2.19	0.74	0.61	2.61	0.77	0.73	3.14	0.78	0.80	1400	0.52	317	275	18.1	0.0109
		380	1.26	0.74	0.61	1.51	0.78	0.73	1.81	0.78	0.80	1400	0.52	317	275	10.5	
		415	1.44	0.70	0.52	1.62	0.75	0.65	1.86	0.76	0.74	1410	0.52	380	328	11.3	
60	220	1.84	0.77	0.69	2.32	0.80	0.80	2.91	0.80	0.85	1700	0.43	263	237	15.6		
	440	1.20	0.70	0.58	1.40	0.75	0.70	1.65	0.76	0.78	1720	0.42	355	322	10.5		